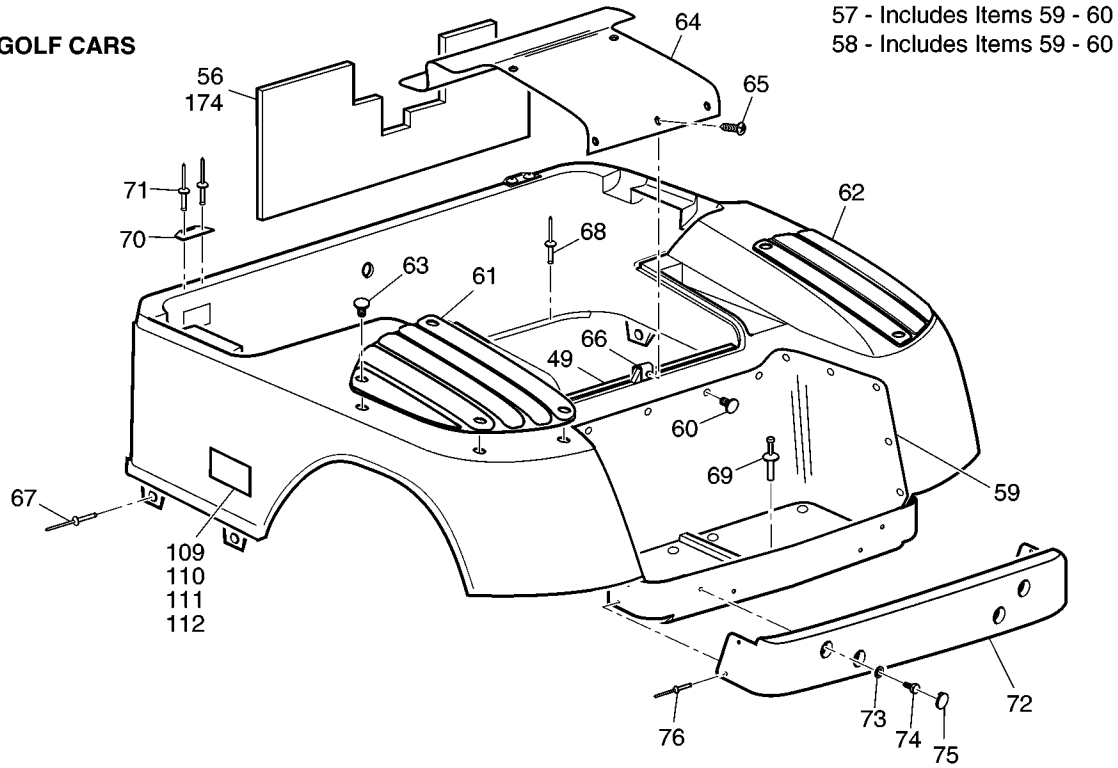
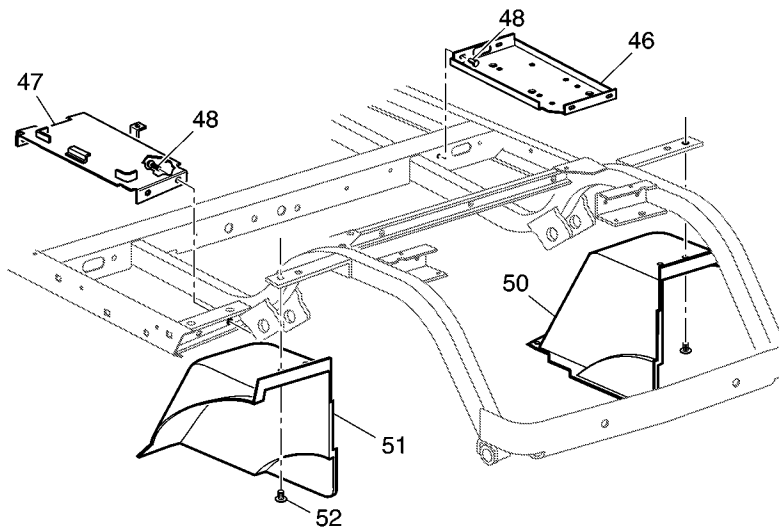
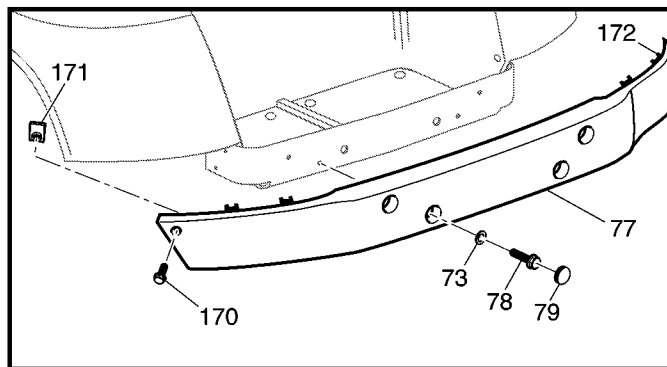


GOLF CARS



SHUTTLE 2+2 AND CONVERTIBLE CARRIER



When ordering parts, please specify the model and serial number of the product.

* Indicates a component that is not available as an individual part.

G** Indicates consult Customer Service Department for additional information.

ITEM	PART NO.	1 2 3 4 5	DESCRIPTION	QTY.
61	75126-G01		FENDER SCUFFGUARD (DRIVER SIDE)	1
62	75126-G02		FENDER SCUFFGUARD (PASSENGER SIDE).....	1
63	16816-G2		RATCHET FASTENER, 1/4" X 3/4" LG	8
64	71320-G01		ACCESS PANEL	1
65	71002-G01		SCREW, #8 X 5/8" LG.....	5
66	71364-G02		"J" CLIP	1
67	10570-G12		RIVET, 1/4" X 1/2" LG	4
68	10570-G10		RIVET, 5/32" X 9/16" LG	6
69	18436-G1		PLASTIC DRIVE RIVET, 1/4" X 5/8" LG	2
70	71609-G01		SEAT HINGE PLATE.....	2
71	10570-G11		RIVET, 3/16" X 3/4" LG	4
72	70939-G01		REAR BUMPER.....	1
73	00559-G8		WASHER, 5/16"	4
74	71102-G01		BOLT, 1/4 - 20 X 3/4" LG.....	4
75	71514-G01		BUMPER PLUG	4
76	14601-G17		RIVET, 3/16" X 9/16" LG	4
77	71456-G01		NOTCHED REAR BUMPER	1
78	71398-G01		BOLT, 1/4 - 20 X 1 1/4" LG.....	4
79	71455-G01		BUMPER PLUG	4
80				
81				
82				
83	71501-G01		ROCKER PANEL (PASSENGER SIDE)	1
84	71502-G01		ROCKER PANEL (DRIVER SIDE)	1
85	15058-G6		RIVET, 3/16" X 3/4" LG	4
86	23726-G4		SPACER.....	4
87				
88	71507-G01		SILL PLATE (PASSENGER SIDE).....	1
89	71507-G02		SILL PLATE (DRIVER SIDE)	1
90	16705-G1		SCREW, 1/4 - 20 X 1" LG (STAINLESS STEEL)	4