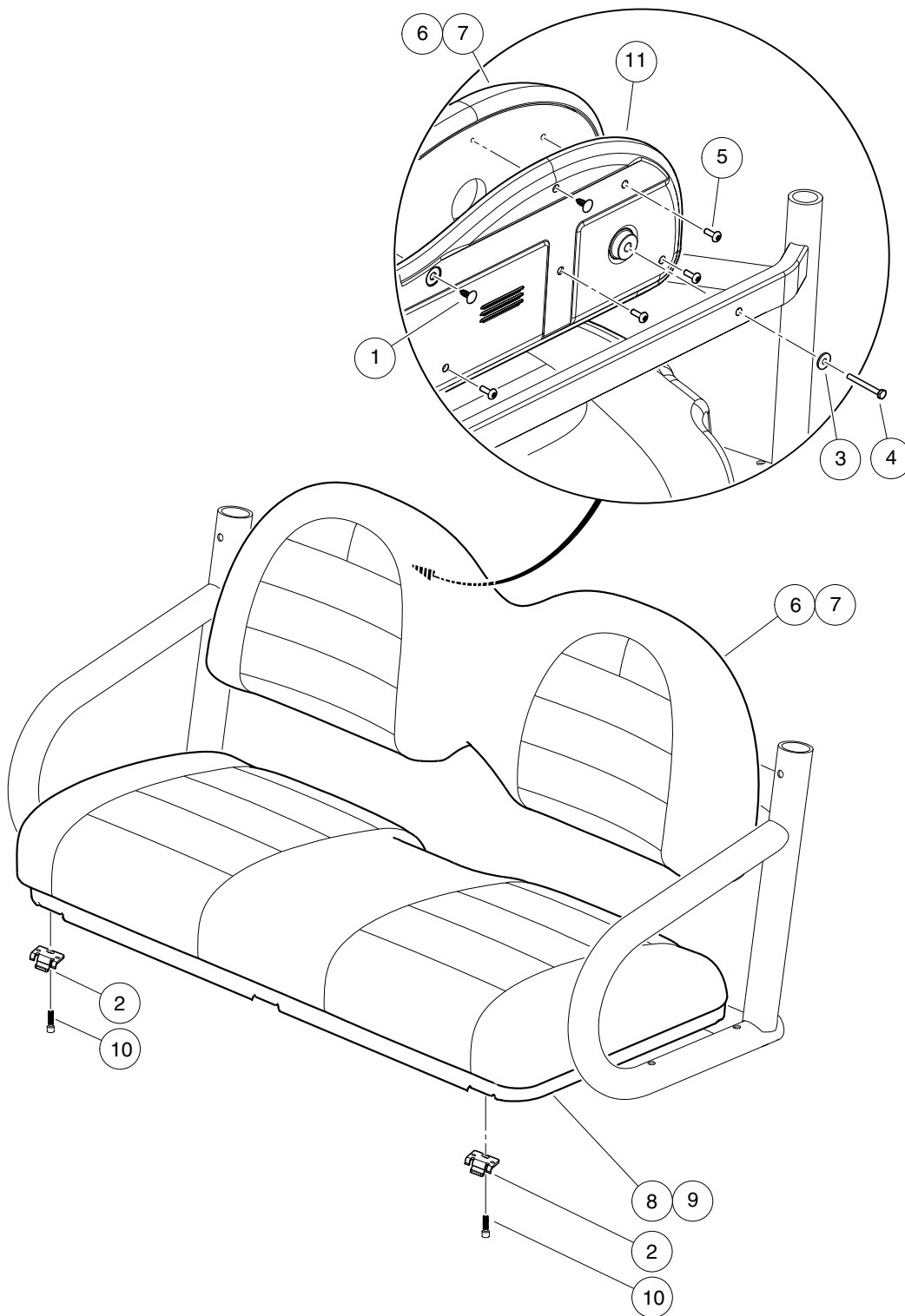


**1**  
**G**

**D**



000523-005

# BENCH SEAT

ITEM	PART NO.	DESCRIPTION	QTY
		1 2 3 4	
1	1010434	Barrel - Plastic .....	8
2	1011652	Hinge Plate .....	2
3	1011697	Washer, 5/16 Flat .....	3
4	1014201	Screw, 1/4-20 X 2.25 Hex Cap .....	3
5	1014415	Screw, 1/4-20 X 0.75 Torx Truss-Head .....	4
6	103456001	Seat Back, Bench, Gray .....	1
7	103456002	Seat Back, Bench, Black .....	1
8	103629101	Seat, Bench, Bottom, Blk .....	1
9	103629102	Seat, Bench, Bottom, Gray .....	1
10	103629501	Screw, 1/4-20 X .75 Shcs .....	4
11	103831101	Cap, Seatback, Vented .....	1

1

G

D