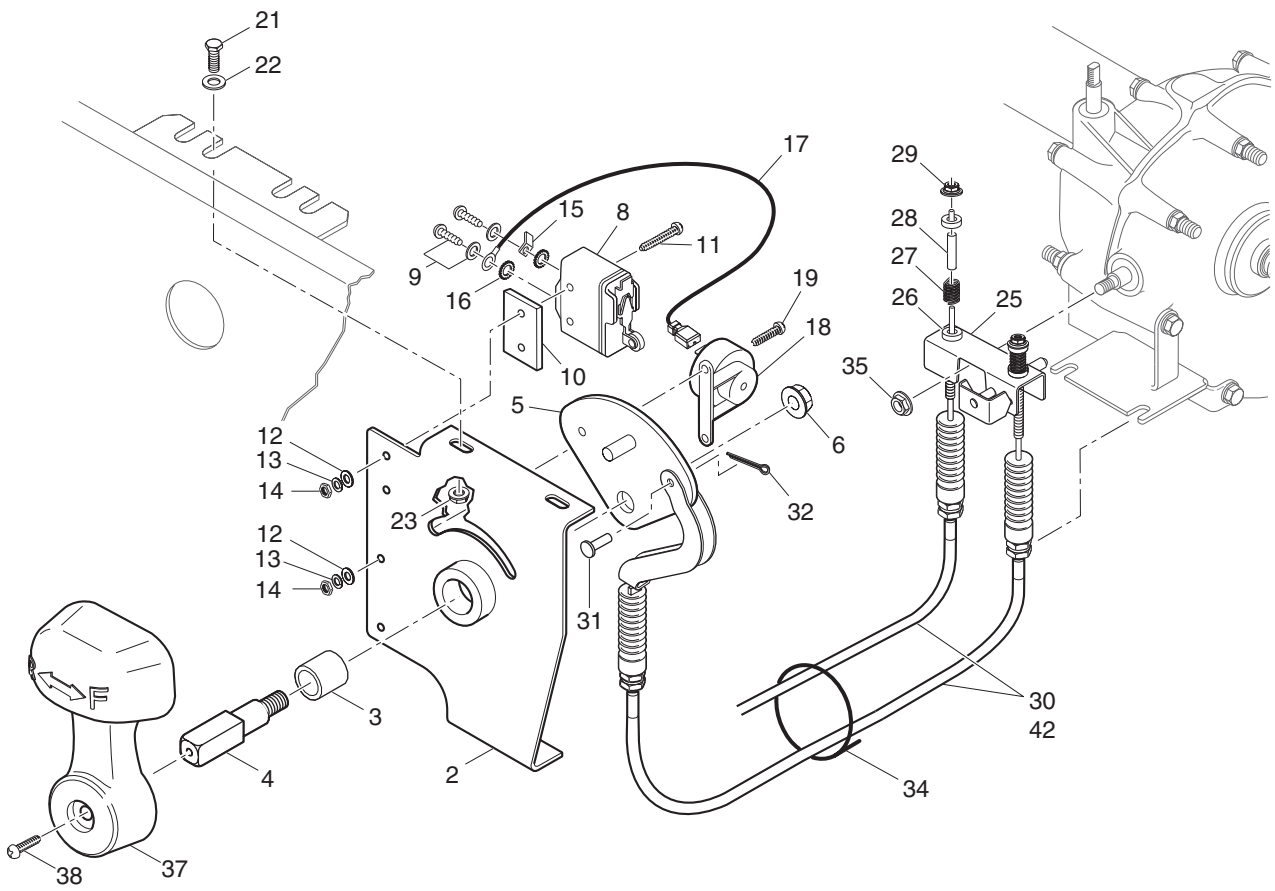


DIRECTION SELECTOR - DUAL CABLE



- 1 - Includes Items 2 - 32
- 41 - Includes Items 2 - 29, 31, 32, 42

Ref Dcl 9

DIRECTION SELECTOR - DUAL CABLE

THE USE OF NON U.L. PARTS WILL VOID ANY U.L. LISTING.

When ordering parts, please specify the model and serial number of the product.

* Indicates a component that is not available as an individual part.

G** Indicates consult Customer Service Department for additional information.

ITEM	PART NO.	1	2	3	4	5	DESCRIPTION	QTY.
1	70594-G01						DIRECTION SELECTOR ASSEMBLY (INCLUDES ITEMS 2 - 32) (ST SPORT)	1
2	25684-G01						DIRECTION SELECTOR BRACKET	1
3	25664-G1						BUSHING.....	1
4	27537-G01						DIRECTION SELECTOR SHAFT	1
5	25745-G01						DIRECTION SELECTOR CAM.....	1
6	14390-G1						LOCK NUT, 3/8 - 24	1
7								
8	10606-G1						MICRO SWITCH.....	1
9	*						SCREW AND WASHER ASSEMBLY	2
10	27151-G01						SPACER	1
11	00645-G2						SCREW, #6 - 32 X 1 1/4" LG	2
12	00559-G3						WASHER, #6	4
13	00565-G3						LOCK WASHER, #6	4
14	00525-G5						NUT, #6 - 32.....	4
15	14628-G1						FASTON TAB.....	1
16	00567-G3						LOCK WASHER, #6	2
17	25978-G343						18 GA WIRE (RED 6")	1
18	73290-G03						REVERSE WARNING BUZZER	1
19	00138-G5						SCREW, #6 - 32 X 5/8" LG	2
20								
21	00414-G6						BOLT, 1/4 - 20 X 3/4" LG.....	2
22	01110-G01						WASHER, 1/4" (STAINLESS STEEL).....	2
23	11027-G2						LOCK NUT, 1/4 - 20	2
24								
25	72619-G01						SHIFTER CONTROL PIVOT	1
26	25727-G01						CUP WASHER, 1/4"	4
27	27764-G01						SPRING	2
28	23726-G5						SPACER, 1 1/8"	2
29	11098-G7						LOCK NUT, #10 - 24.....	2
30	25961-G01						SHIFTER CONTROL CABLE (ST SPORT).....	2

DIRECTION SELECTOR - DUAL CABLE

THE USE OF NON U.L. PARTS WILL VOID ANY U.L. LISTING.

When ordering parts, please specify the model and serial number of the product.

* Indicates a component that is not available as an individual part.

G** Indicates consult Customer Service Department for additional information.

ITEM	PART NO.	1 2 3 4 5	DESCRIPTION	QTY.
31	23176-G1		CLEVIS PIN, 3/16" X 7/16"	2
32	10387-G8		COTTER PIN, 1/16" X 3/4" LG	2
33				
34	17618-G1		WIRE TIE	1
35	26830-G01		LOCK NUT, M8 X 1.25 MM	1
36				
37	71205-G01		DIRECTION SELECTOR HANDLE	1
38	00740-G4		SCREW, #10 - 32 X 1/2" LG (STAINLESS STEEL)	1
39				
40				
41	70594-G02		DIRECTION SELECTOR ASSY (INCL ITEMS 2 - 29, 31, 32, 42 (ST 350)	1
42	72341-G01		SHIFTER CONTROL CABLE (ST 350)	2