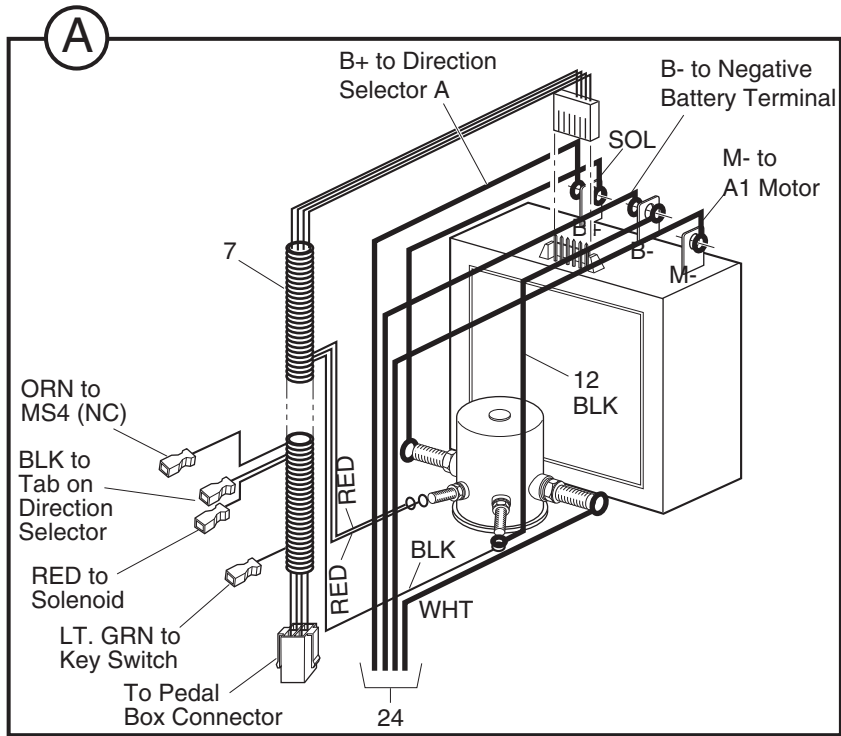
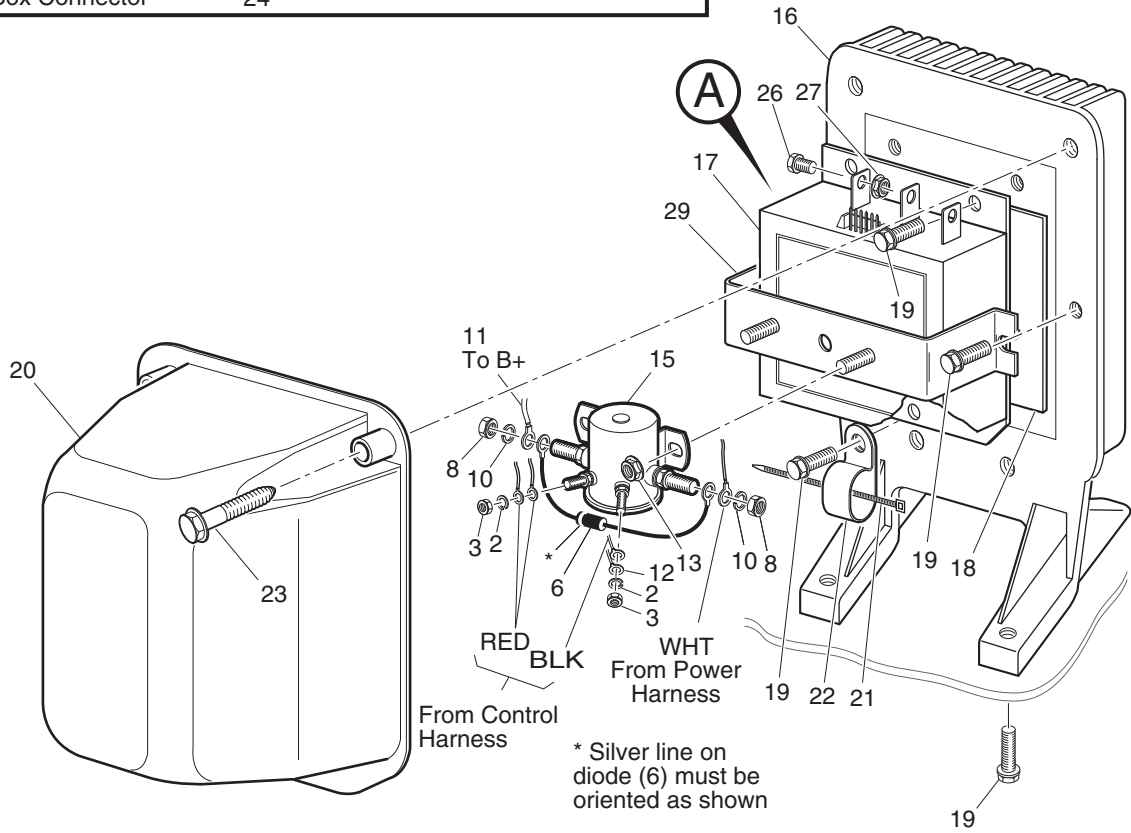


# ELECTRONIC SPEED CONTROL - SERIES



1 - Includes Items 2 - 29



Ref Esc 1-1

# ELECTRONIC SPEED CONTROL - SERIES

Where applicable, THE USE OF NON UL PARTS WILL VOID ANY UL LISTING.

When ordering parts, please specify the model and serial number of the product.

\* Indicates a component that is not available as an individual part.

G\*\* Indicates consult Customer Service Department for additional information.

ITEM	PART NO.	1	2	3	4	5	DESCRIPTION	QTY.	
1	73056-G04							ELECTRONIC SPEED CONTROL ASSEMBLY (INCLUDES ITEMS 2 - 31).....	1
2	*							LOCK WASHER, #10 .....	2
3	*							NUT, 10 - 32.....	2
4									
5	30353-G1							DIODE, 3 AMP.....	1
6	21764-G1							RESISTOR.....	1
7	73103-G02							WIRE HARNESS (CONTROL) .....	1
8	*							NUT, 5/16 - 24.....	2
9									
10	*							LOCK WASHER, 5/16" .....	2
11	607591							4 GA WIRE GREEN 11.5".....	1
12	25978-G10							18 GA WIRE (SOL - B-).....	1
13	800706							LOCK NUT, 1/4 - 20 .....	2
14									
15	27855-G01							SOLENOID, 36 VOLT .....	1
16	73471-G01							HEATSINK .....	1
17	25864-G05							ELECTRONIC SPEED CONTROLLER.....	1
18	73190-G01							THERMAL MOUNTING PAD .....	1
19	71102-G01							BOLT, 1/4 - 20 X 3/4" LG.....	9
20	73028-G01							COVER .....	1
21	31539-G1							WIRE TIE .....	1
22	73053-G01							DOUBLE TUBE CLAMP .....	1
23	71102-G03							BOLT, 1/4 - 20 X 1 3/16" LG.....	3
24	607656							4 GA WIRE HARNESS, GREEN .....	1
25									
26	00270-G5							BOLT, 5/16 - 18 X 5/8" LG.....	3
27	11027-G1							LOCK NUT, 5/16 - 18.....	3
28									
29	25866-G01							SOLENOID BRACKET .....	1