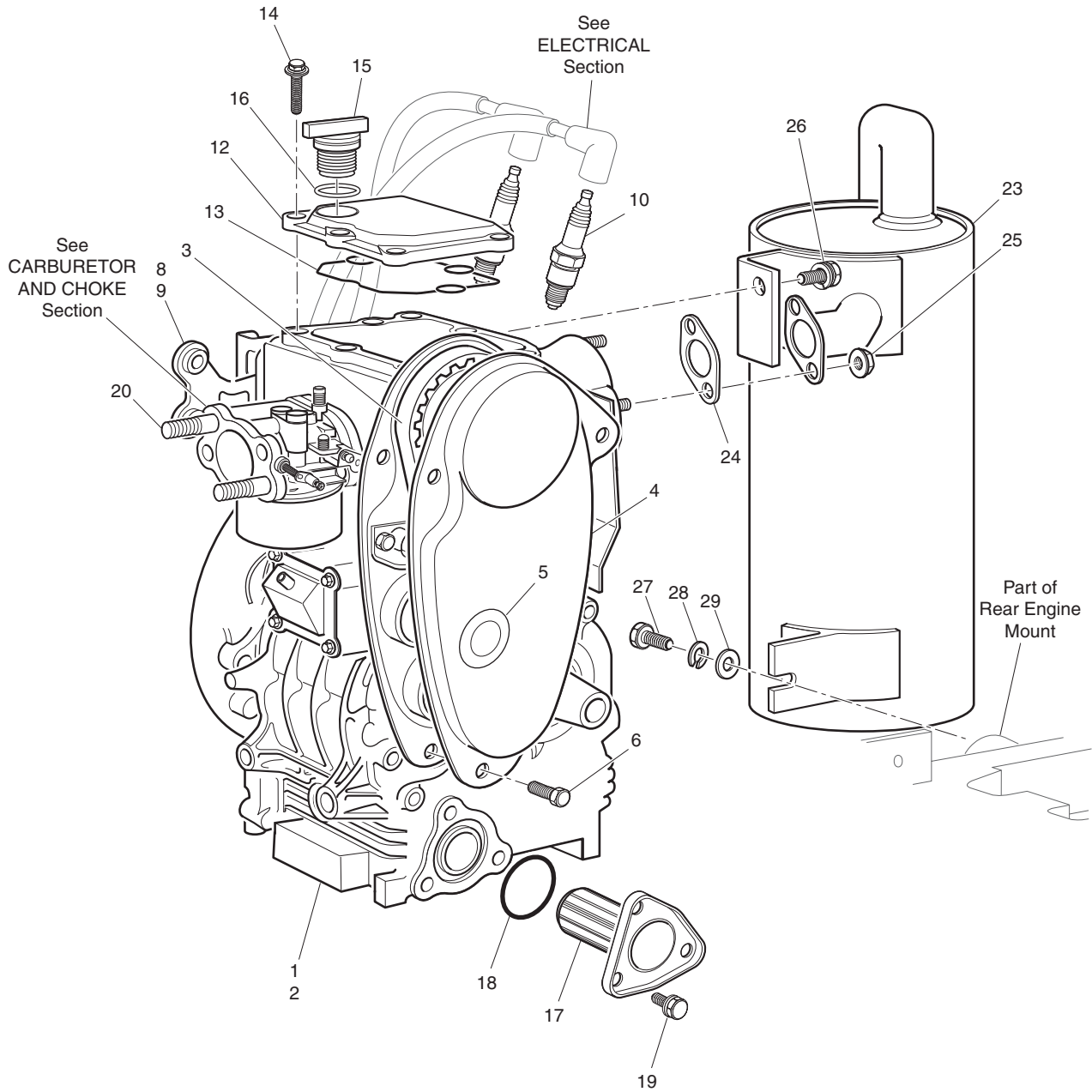


ENGINE AND MUFFLER



Ref Emf 2

ENGINE AND MUFFLER

Where applicable, THE USE OF NON UL PARTS WILL VOID ANY UL LISTING.

When ordering parts, please specify the model and serial number of the product.

* Indicates a component that is not available as an individual part.

G** Indicates consult Customer Service Department for additional information.

ITEM	PART NO.	1 2 3 4 5	DESCRIPTION	QTY.
1	72845-G01		ENGINE (FOR VEHICLES ORIGINALLY EQUIPPED WITH 295cc (EH29C) (INCLUDES ITEMS 3 - 8, 10 - 20)	1
2	72846-G01		ENGINE (FOR VEHICLES ORIGINALLY EQUIPPED WITH 350cc (EH35C) (INCLUDES ITEMS 3 - 6, 9 - 20)	1
3	26626-G01		TIMING BELT	1
4	72908-G01		TIMING BELT COVER	1
5	26631-G01		TIMING BELT COVER GROMMET	1
6	26678-G01		BOLT, M6 X 1 X 12 MM LG.....	3
7				
8	72885-G01		IGNITION COIL BRACKET (295cc).....	1
9	72869-G01		IGNITION COIL BRACKET (350cc).....	1
10	25523-G3		SPARK PLUG (NGK BPR4ES - RESISTOR)	2
11				
12	72848-G01		VALVE COVER	1
13	72876-G01		VALVE COVER GASKET	1
14	26676-G01		FLANGED BOLT, M6 X 1 X 23 MM LG.....	6
15	26601-G01		OIL FILLER CAP.....	1
16	26720-G01		OIL FILLER 'O' RING.....	1
17	26591-G01		OIL FILTER	1
18	26710-G01		OIL FILTER 'O' RING	1
19	26680-G01		BOLT AND WASHER, M6 X 1 X 12 MM LG	3
20	72307-G01		STUD, M6 X 1 X 115MM LG.....	2
21				
22				
23	74829-G01		MUFFLER	1
24	25531-G1		EXHAUST GASKET	1
25	26827-G01		NUT, M8 X 1.25MM	2
26	25532-G1		BOLT AND WASHER, M8 X 1.25 X 18 MM LG	1
27	00438-G8		BOLT, 5/16 - 18 X 1" LG	1
28	00565-G8		LOCK WASHER, 5/16"	1
29	00642-G8		WASHER, 5/16"	1