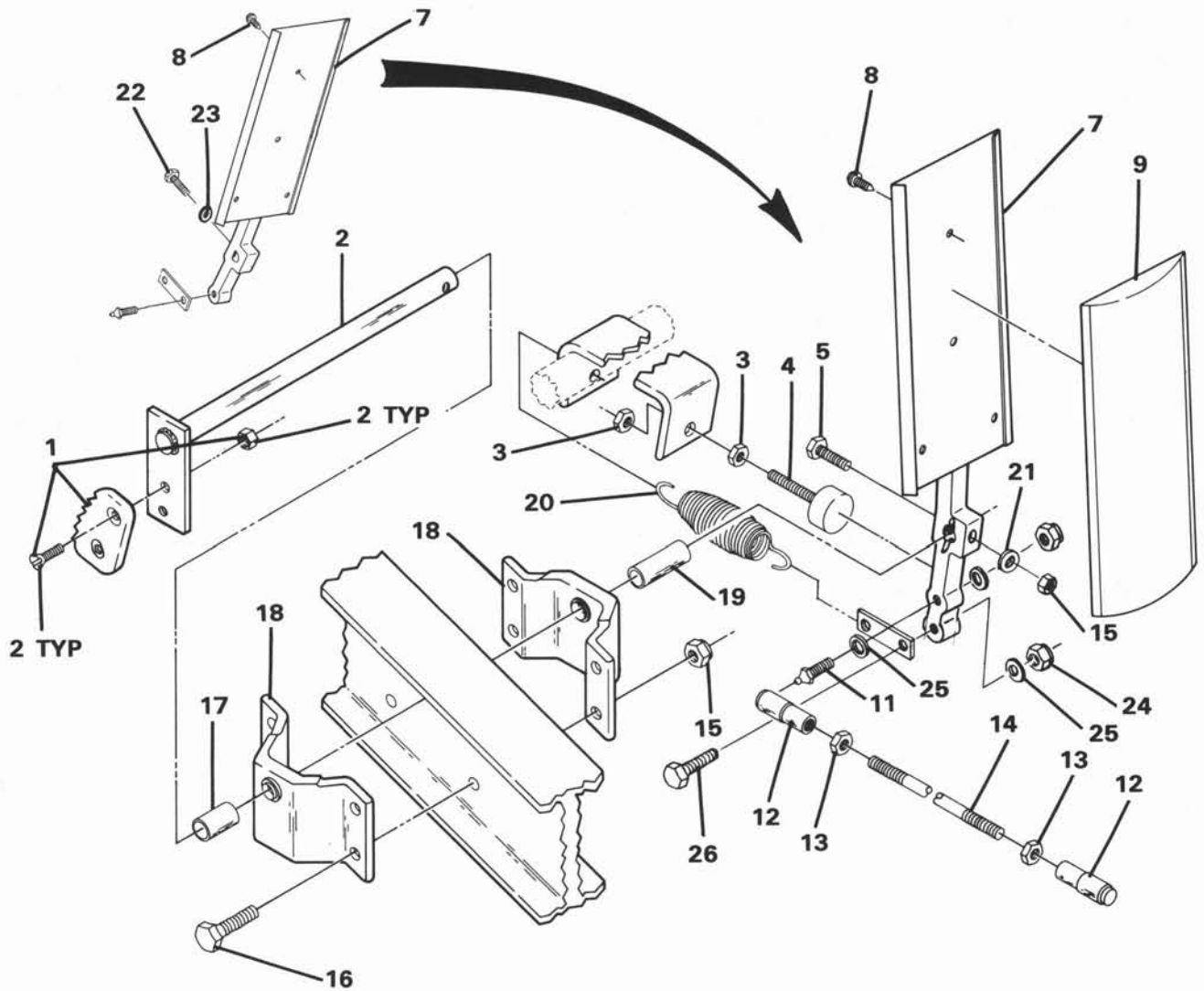


ELECTRIC VEHICLE ONLY



ACCELERATOR PEDAL ASSEMBLY

ACCELERATOR PEDAL ASSEMBLY

ITEM NUMBER	PART NUMBER	1 2 3 4	DESCRIPTION	UNITS PER VEHICLE
1	1011877		LATCH, HILL BRAKE KIT	1
2	1016166		ROD, ACCELERATOR PIVOT (GASOLINE VEHICLE) SUB ASSEMBLY	1
2	1016116		ROD, ACCELERATOR PIVOT (ELECTRIC VEHICLE) WELD ASSEMBLY	1
3	1028		NUT, 1/4-20 HEX	2
4	1010878		STOP, BRAKE	1
5	1016619		HEX HEAD CAP SCREW, 1/4-20	1
6	1014007		FLATWASHER, 1/4 DIAMETER	1
7	1016377-01		ACCELERATOR PEDAL ASSEMBLY (GASOLINE VEHICLE) INCLUDES ITEMS 8, 9, 10, 11, 24, 25, AND 26	1
7	1010969		ACCELERATOR PEDAL ASSEMBLY (ELECTRIC VEHICLE) INCLUDES ITEMS 8, 9, 10, AND 11	1
8	7716		SHEET METAL SCREW, #10-16	4
9	1013871		PAD, ACCELERATOR	1
10	1011691		HANGER, ACCELERATOR PEDAL SPRING	1
11	1016157		BALL STUD, 1/4-28 X 1.00 (GASOLINE VEHICLE)	1
11	1010954		BALL STUD, 1/4-28 (ELECTRIC VEHICLE)	1
12	1011734		BALL JOINT, 1/4-28 SPRING LOADED	2
13	1011084		HEX JAM NUT, 1/4-28	2
14	1014085		ROD, ACCELERATOR (ELECTRIC VEHICLE) INCLUDES ITEMS 12 AND 13	1
14	1016168		ROD, ACCELERATOR (GASOLINE VEHICLE) INCLUDES ITEMS 12 AND 13	1
15	8233		NYLON LOCKNUT INSERT, 1/4-20	5
16	7479		HEX HEAD CAP SCREW, 1/4-20 X 1-1/4"	4
17	1011699		SPACER, 1/2	1
18	1011694		BRACKET, ACCELERATOR BEARING	2
19	1011700		SPACER, ACCELERATOR	1
20	1012075		SPRING EXTENSION	1
21	332		FLATWASHER, 1/4 DIAMETER	1
22	403		HEX HEAD CAP SCREW, 1/4-20 X 5/8" (ELECTRIC VEHICLE ONLY)	1
23	8304		WASHER, 1/4 DIAMETER INTERNAL TOOTH LOCK (ELECTRIC VEHICLE ONLY)	1
24	8717		NYLON HEX NUT, 1/4-28 (GASOLINE VEHICLE)	2
25	1014007		FLATWASHER, 1/4 DIAMETER (GASOLINE VEHICLE)	3
26	7510		HEX HEAD CAP SCREW, 1/4-28 X 1-1/4" (GASOLINE VEHICLE)	1

G

E

3