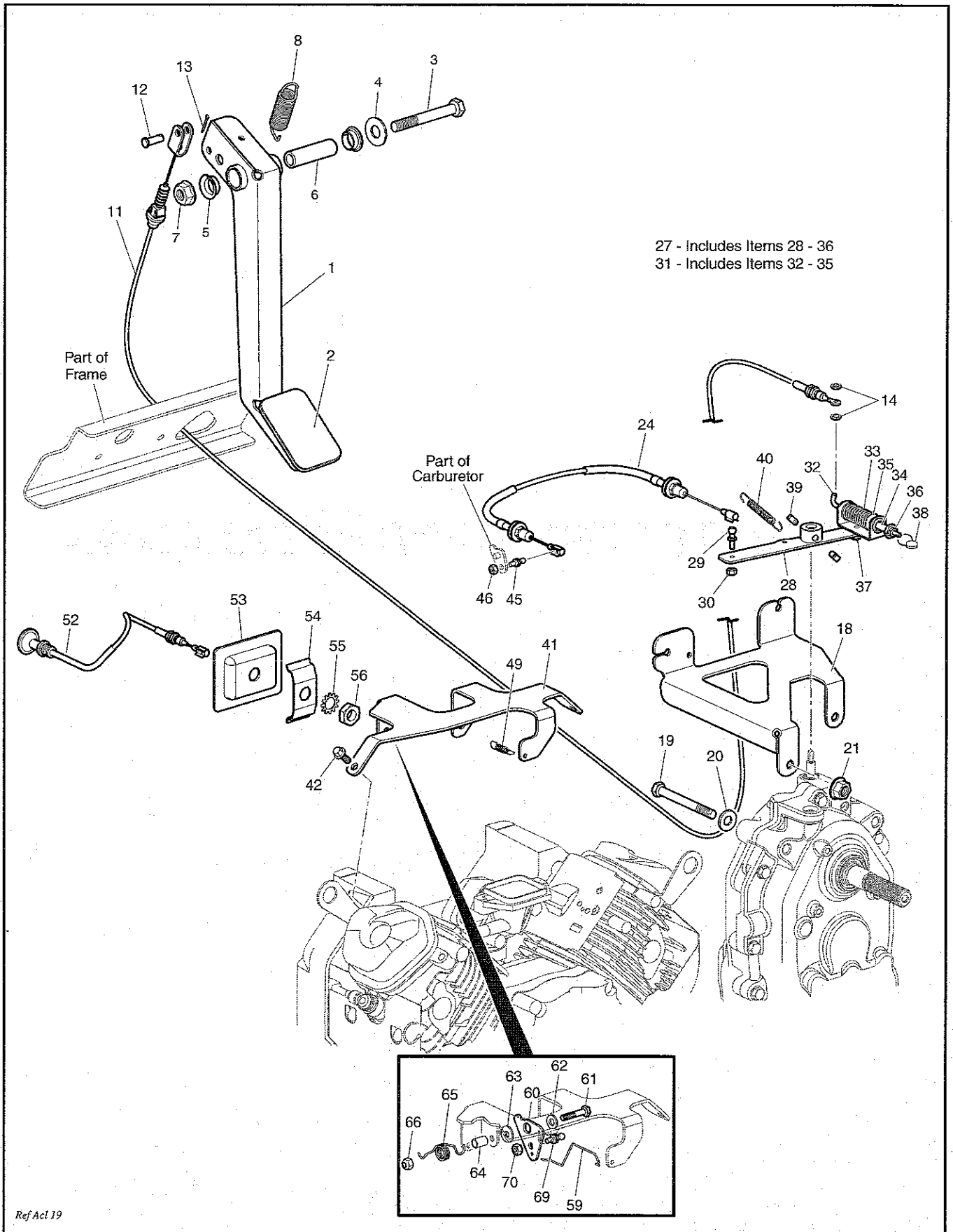


ACCELERATOR



ACCELERATOR

Where applicable, THE USE OF NON UL PARTS WILL VOID ANY UL LISTING.

When ordering parts, please specify the model and serial number of the product.

* Indicates a component that is not available as an individual part.

G** Indicates consult Customer Service Department for additional information.

ITEM	PART NO.	1 2 3 4 5	DESCRIPTION	QTY.
1	73999-G01		ACCELERATOR PEDAL	1
2	73547-G01		PEDAL PAD	1
3	311398		SCREW, 1/2 - 13 X 3 1/2.....	1
4	00643-G3		WASHER, 1/2"	1
5	73995-G01		BUSHING	2
6	73993-G01		INNER PIVOT TUBE.....	1
7	800700		LOCK NUT, 1/2 - 13	1
8	73813-G01		SPRING.....	1
9				
10				
11	601566		ACCELERATOR CABLE	1
12	10386-G3		CLEVIS PIN, 5/16" X 15/16" LG.....	1
13	10387-G3		COTTER PIN, 3/32" X 3/4" LG.....	1
14	12064-G3		PUSH NUT, 3/16"	2
15				
16				
17				
18	73720-G01		ACCELERATOR AND GOVERNOR CABLE BRACKET	1
19	311391		SCREW, 3/8 - 16 X 4.....	2
20	00643-G1		WASHER, 3/8"	1
21	800698		LOCK NUT, 3/8 - 16	2
22				
23				
24	73820-G01		GOVERNOR CABLE.....	1
25				
26				
27	73719-G01		GOVERNOR LEVER ASSEMBLY.....	1
28	73718-G01		GOVERNOR LEVER	1
29	15944-G1		BALL JOINT.....	1
30	00734-G5		LOCK NUT, #10 - 32.....	1