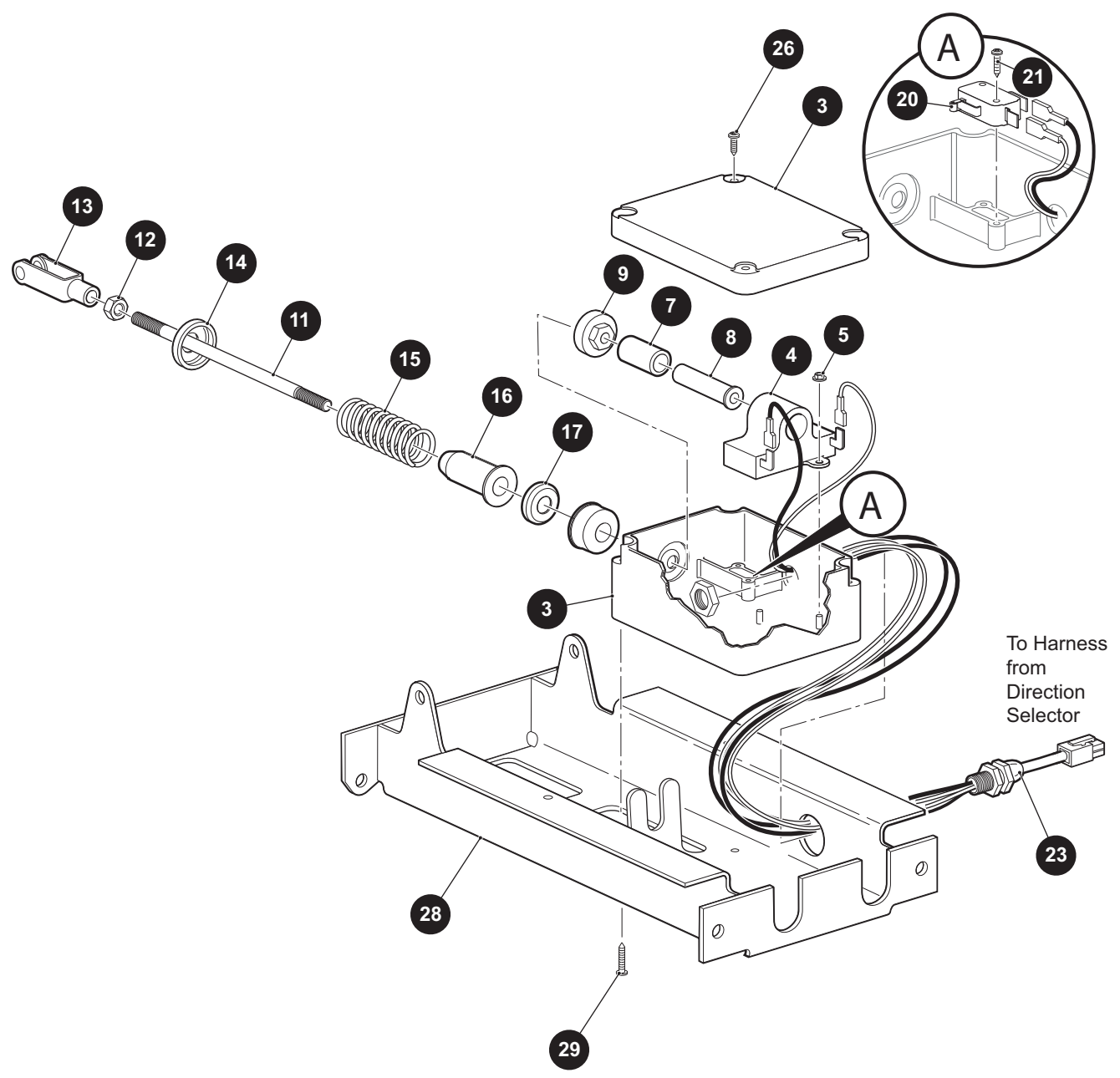
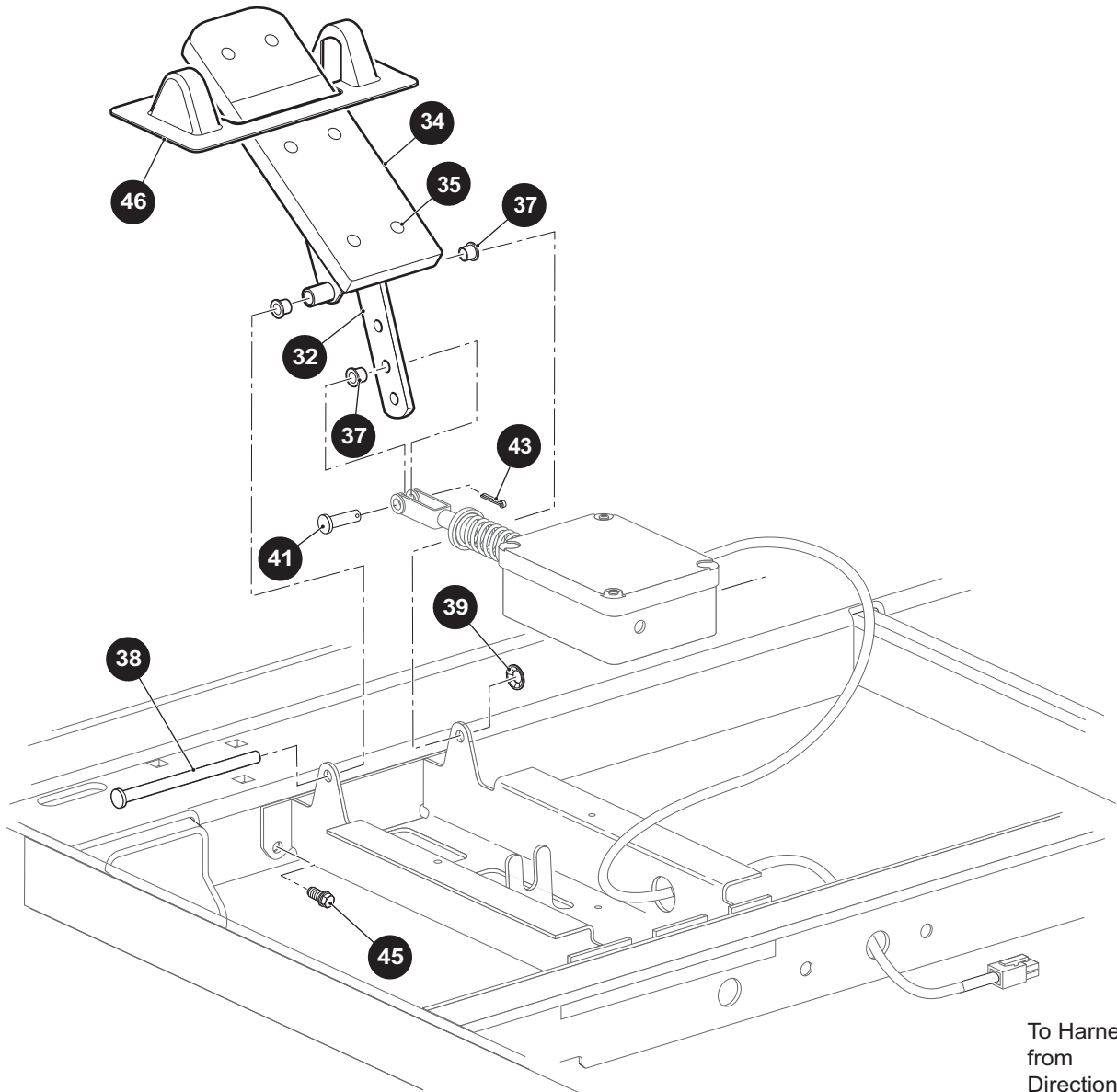


ACCELERATOR

1 PEDAL BOX ASSEMBLY includes items 3 - 43



31 ACCELERATOR PEDAL ASSEMBLY includes items 32 - 35



To Harness
from
Direction
Selector

ACCELERATOR

When ordering parts, please specify the model and serial number of the product.

* Indicates a component that is not available as an individual part.

*** Indicates consult Customer Service Department for additional information.

ITEM	PART NO.	1 2 3 4 5	DESCRIPTION	QTY.
1	613163		PEDAL BOX ASSEMBLY (INCLUDES ITEMS 3 - 43)	1
2				
3	25853G01		PEDAL BOX AND COVER	1
4	25854G01		INDUCTIVE THROTTLE SENSOR.....	1
5	00983G01		SELF THREADING NUT, 3/16".....	2
6				
7	25857G01		PLUNGER SLEEVE	1
8	28443G01		PLUNGER.....	1
9	28444G01		PLUNGER CAM.....	1
10				
11	73332G01		ACCELERATOR ROD	1
12	00532G4		HEX NUT, 5/16" - 24	1
13	10385G4		CLEVIS YOKE (ADJUSTABLE)	1
14	17677G2		SPRING RETAINER, 3/8"	1
15	73046G01		COMPRESSION SPRING	1
16	17979G1		ACCELERATOR ROD BUSHING	1
17	17677G1		SPRING RETAINER, 1/2"	1
18				
19				
20	25861G02		MICRO SWITCH	1
21	01050G01		TORX PAN HEAD PLASTITE SCREW, #4 - 20 X 5/8" LG	2
22				
23	620418		WIRING HARNESS (PEDAL BOX ASSEMBLY)	1
24				
25				
26	00684G6		PHILLIPS TRUSS HEAD MACHINE SCREW (SS), #8 - 32 X 3/4" LG	2
27				
28	70116G02		ACCELERATOR PEDAL BRACKET.....	1
29	01051G01		PHILLIPS PAN HEAD SCREW, #8 - 16 X 1/2" LG	4
30				