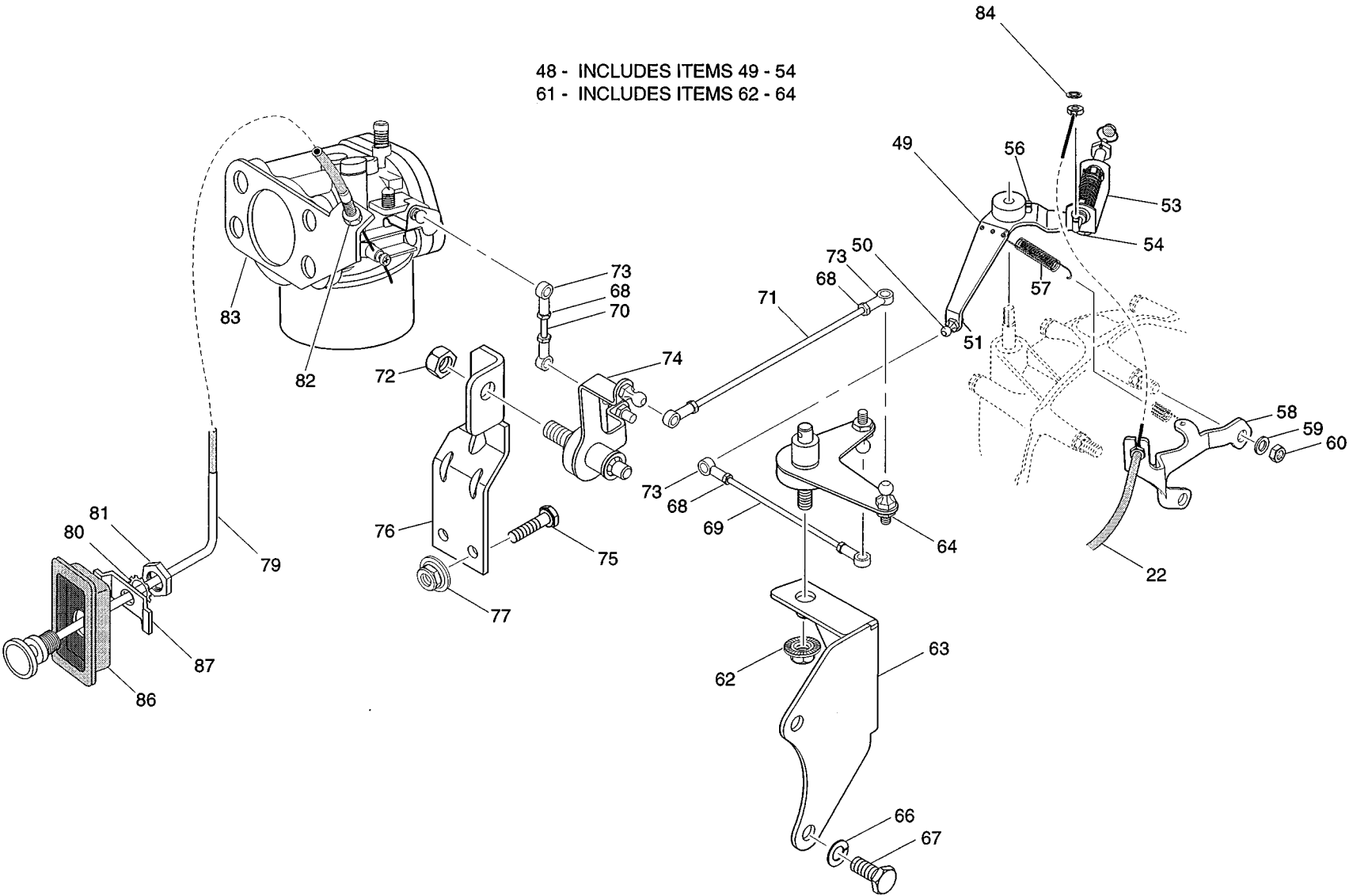


48 - INCLUDES ITEMS 49 - 54
61 - INCLUDES ITEMS 62 - 64



When ordering parts, please specify the model and serial number of the product.

* Indicates a component that is not available as an individual part.

G** Indicates consult Customer Service Department for additional information.

ITEM	PART NO.	1 2 3 4 5	DESCRIPTION	QTY.
1	72062-G01		ACCELERATOR PEDAL BOX ASSEMBLY (INCLUDES ITEMS 2 - 46).....	1
2	70116-G01		BRACKET, ACCELERATOR PEDAL.....	1
3	25853-G02		PEDAL BOX AND COVER	1
4	00487-G3		SETSCREW, 1/4 - 20 X 3/8 LG.	1
5				
6	00984-G01		SCREW, #8 - 32 X 1/2 LG.	4
7	10387-G3		PIN, COTTER, 3/32 x 3/4 LG.	1
8	25799-G01		ACCELERATOR PEDAL ASSEMBLY (INCLUDES ITEMS 9 - 11)	1
9	16409-G1		RIVET, OVAL, 3/8 X 15/32 LG.	6
10	27512-G01		PAD, ACCELERATOR PEDAL.....	1
11	70125-G01		PEDAL, ACCELERATOR.....	1
12				
13	00684-G6		SCREW, #8 - 10 X 1/2 LG.	4
14	17838-G1		BUSHING	3
15	70134-G01		PIN, PEDAL PIVOT	1
16	00986-G01		PUSHNUT, 19/64.....	1
17				
18				
19	25861-G01		SWITCH, MICRO.....	1
20	00982-G01		SCREW, #4 - 14 X 5/8 LG.	2
21	72201-G01		WIRING HARNESS, PEDAL BOX.....	1
22	72065-G01		CABLE, ACCELERATOR (WITH NUT)	1
23	72198-G01		CAM, MICRO SWITCH.....	1
24				
25	72199-G01		BRACKET, PIVOT	1
26	72066-G01		CONTROL ARM	1
27	25768-G01		PIVOT ROD	1
28	14390-G1		NUT, LOCK, 3/8 - 24.....	1
29				
30	73046-G01		SPRING, COMPRESSION.....	1