



Before You Start:

Please familiarize yourself with all the steps before beginning assembly.

Compatibility Info:

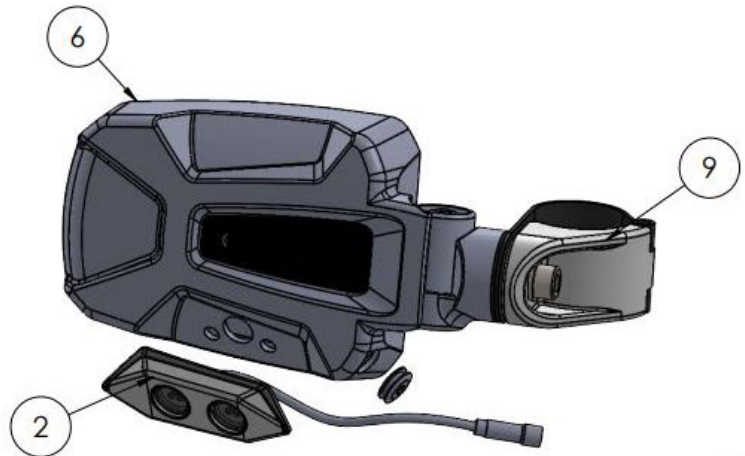
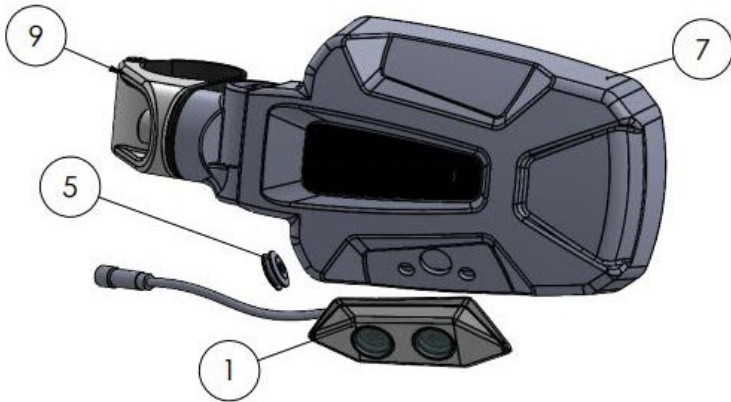
This Mirror Kit is designed to work with other Seizmik branded accessories. Please note Seizmik cannot guarantee fitment with other branded aftermarket products. Please research installation details thoroughly on our products & others when trying to combine different branded accessories.

Seizmik makes Windshields, Mirrors, Cab Systems, Light Bars, Hood Racks, Gun Cases, and other great accessories for UTV's to maximize the vehicles usefulness.

If you have any questions, comments, need assistance, or are missing parts, please call 1-866-838-3366 between 9:00AM and 5:00PM EST or email us at support@seizmik.com. Visit www.seizmik.com for more information on our products.

Lighted Mirror Components List

- | | |
|-------------------------------------|---|
| 1. Driver Side Mirror Light | Part Number: 12121-D |
| 2. Passenger Side Mirror Light | Part Number: 12121-P |
| 3. Pursuit light Main Harness | Part Number: 12116-H |
| 4. Splitter Harness | Part Number: 12116-S2 |
| 5. Grommet | |
| 6. Pursuit Mirror Drilled Passenger | Part Number: 18086-P |
| 7. Pursuit Mirror Drilled Driver | Part Number: 18086-D |
| 8. M6x6mm Button Head Bolt | |
| 9. Clamp | See top level Part Number for replacement |

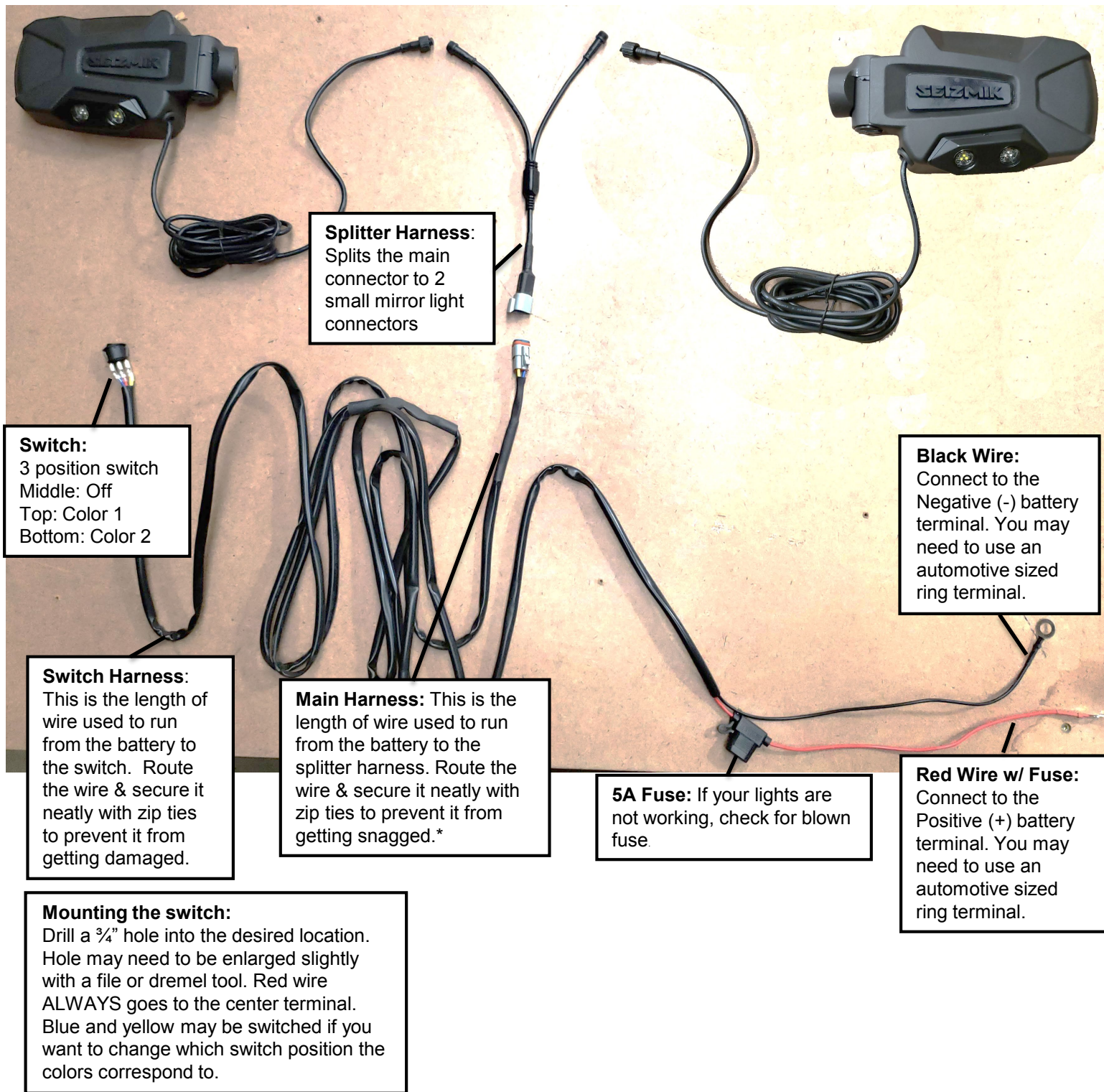


The biggest differences between vehicles is usually where the battery is located. Some vehicle batteries are located under the hood, under the seat, or under the cargo bed. The best way to approach installation is to:

- | | |
|-----------------------|--------------------|
| 2 x Lighted Mirror | Part # 18089-(D/P) |
| 2 x Pursuit LED Light | Part # 12121-(D/P) |
| Main Harness | Part # 12116-H |
| Splitter Harness | Part # 12116-S2 |

1. Mount the Mirrors (See Page 4-5)

2. Locate the battery
3. Run the wires from the Mirror lights to the splitter harness
4. Decide where the switch will be mounted
5. Run the Main Harness wire terminals to battery
6. Run the Main Harness connector to the splitter harness
7. Install the switch
8. Secure the excess wiring to the vehicle with zip ties



Splitter Harness:
Splits the main connector to 2 small mirror light connectors

Switch:
3 position switch
Middle: Off
Top: Color 1
Bottom: Color 2

Black Wire:
Connect to the Negative (-) battery terminal. You may need to use an automotive sized ring terminal.

Switch Harness:
This is the length of wire used to run from the battery to the switch. Route the wire & secure it neatly with zip ties to prevent it from getting damaged.

Main Harness: This is the length of wire used to run from the battery to the splitter harness. Route the wire & secure it neatly with zip ties to prevent it from getting snagged.*

5A Fuse: If your lights are not working, check for blown fuse.

Red Wire w/ Fuse:
Connect to the Positive (+) battery terminal. You may need to use an automotive sized ring terminal.

Mounting the switch:
Drill a 3/4" hole into the desired location. Hole may need to be enlarged slightly with a file or dremel tool. Red wire ALWAYS goes to the center terminal. Blue and yellow may be switched if you want to change which switch position the colors correspond to.

Installation & Operations Manual for Pursuit Side View Mirror

Contents:



Left Mirror and Clamp Assembly

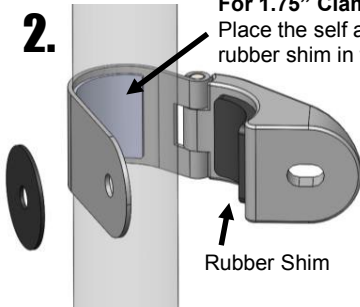
Right Mirror and Clamp Assembly

Installation:



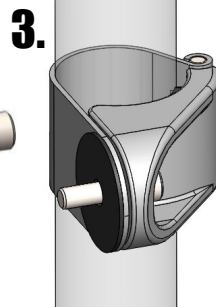
1. Temporarily remove this socket head bolt using a 8mm Allen Wrench

2. For 1.75" Clamp Only!
Place the self adhesive thin rubber shim in this location.

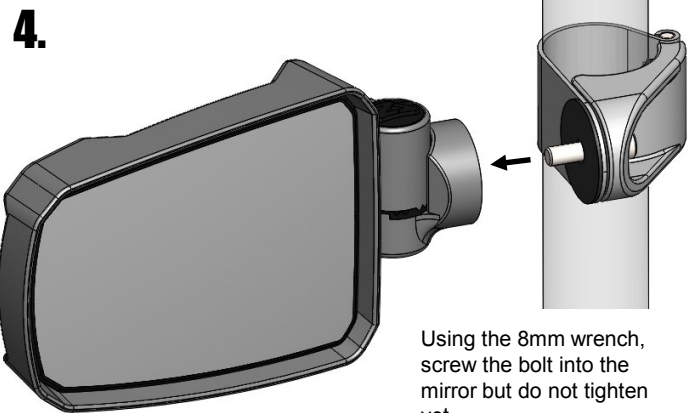


Rubber Shim

Open clamp and place around roll cage tube. Make sure the rubber shim is in place in the thick half of the clamp.



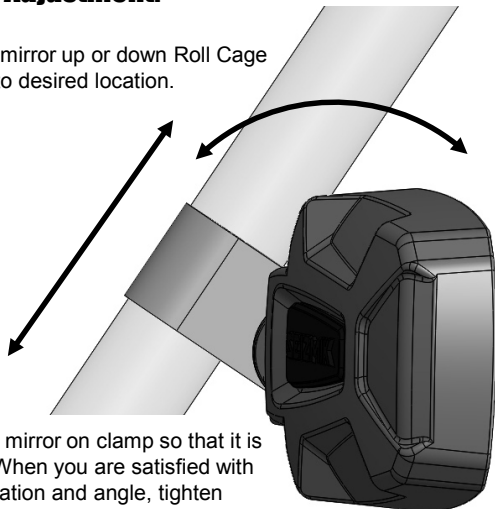
3. Close clamp around roll cage tube, put the bolt through the hole, and place large rubber washer over the end of the bolt.



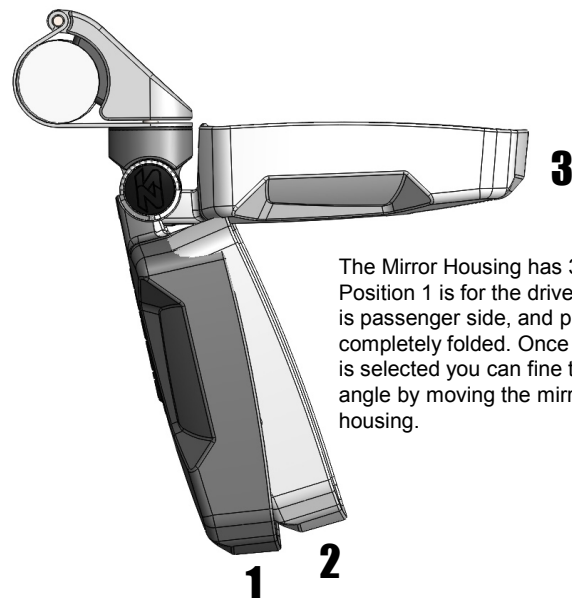
4. Using the 8mm wrench, screw the bolt into the mirror but do not tighten yet.

Initial Adjustment:

Slide mirror up or down Roll Cage tube to desired location.



Rotate mirror on clamp so that it is level. When you are satisfied with the location and angle, tighten bolt.



3. The Mirror Housing has 3 detent positions. Position 1 is for the drivers side, position 2 is passenger side, and position 3 is completely folded. Once the detent position is selected you can fine tune the viewing angle by moving the mirror glass within the housing.

Installation & Operations Manual for Pursuit Side View Mirror

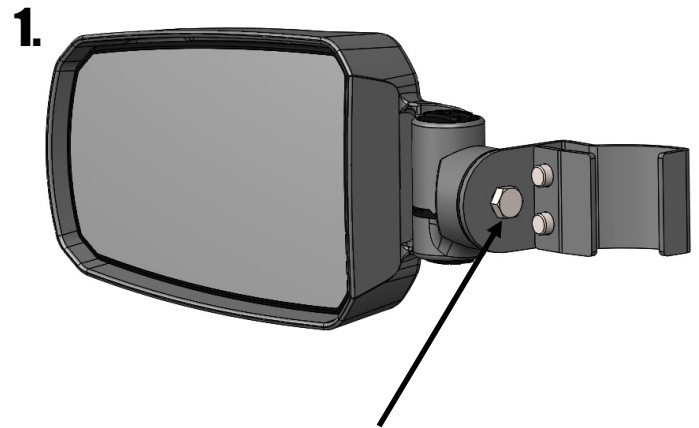
Contents:



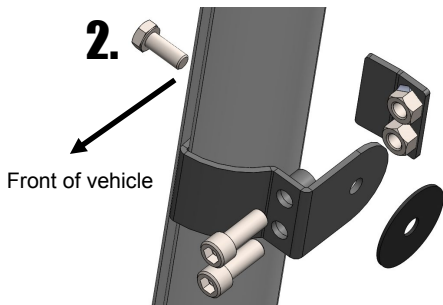
Left Mirror and Clamp Assembly

Right Mirror and Clamp Assembly

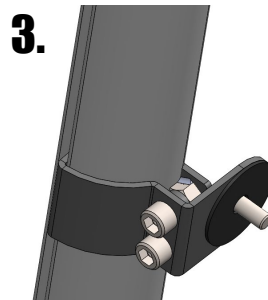
Installation:



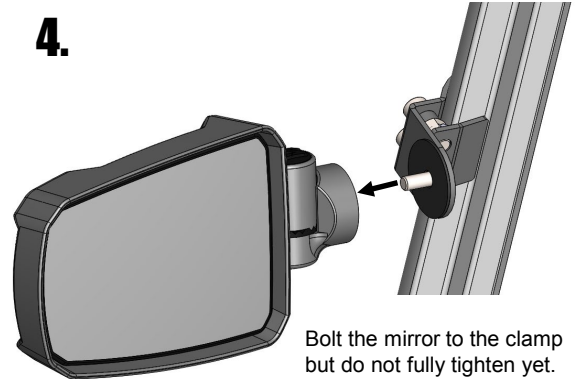
Temporarily remove this bolt to detach Clamp Assembly



Disassemble clamp by removing the two 8mm socket head bolts. Place curved half of clamp against roll cage in desired mirror location. Insert bolts and thread into clamp plate with the welded nuts facing the bolt heads. Tighten bolts.

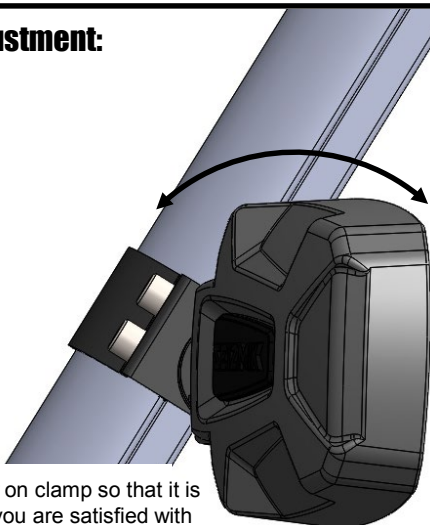


Put mirror mounting bolt through hole and place large rubber washer on the end of the bolt.

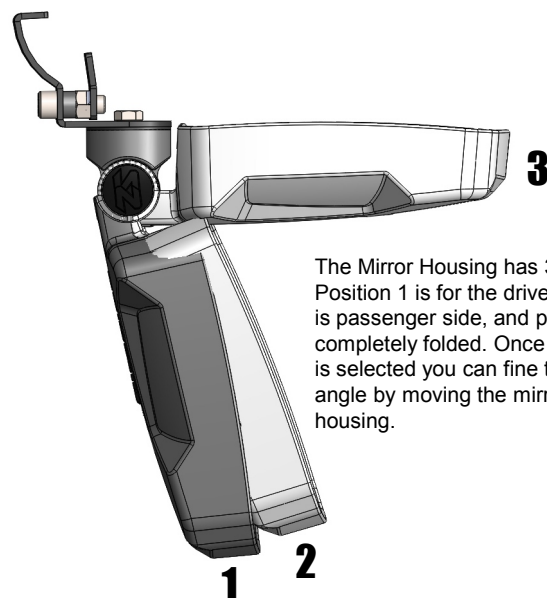


Bolt the mirror to the clamp but do not fully tighten yet.

Initial Adjustment:

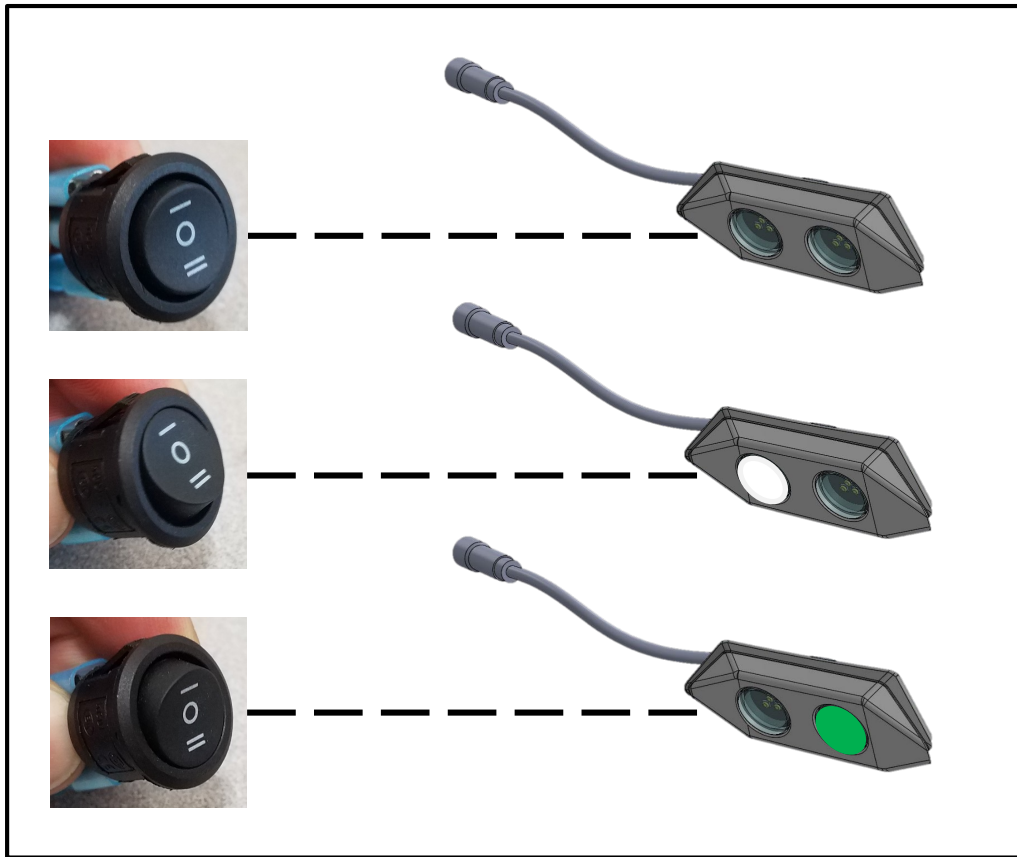


Rotate mirror on clamp so that it is level. When you are satisfied with the location and angle, tighten bolt.



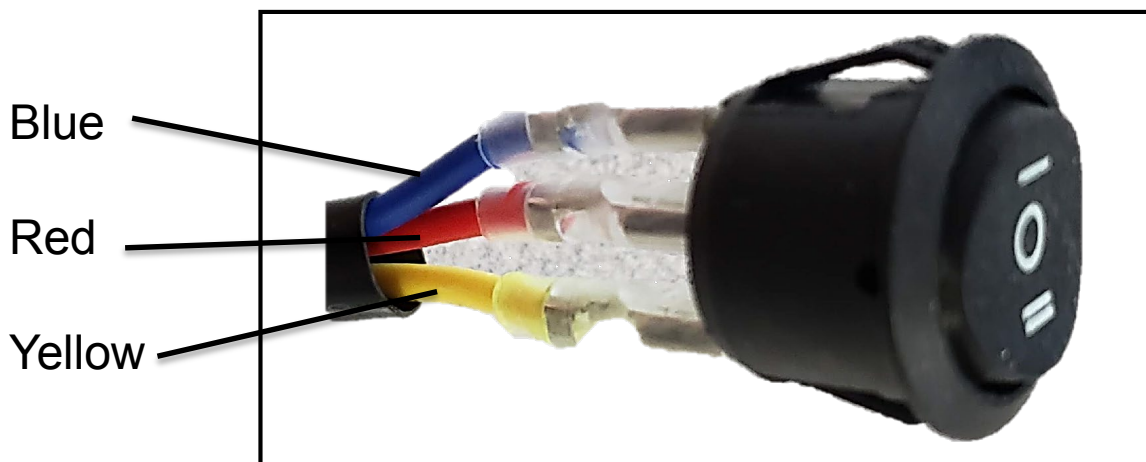
The Mirror Housing has 3 detent positions. Position 1 is for the drivers side, position 2 is passenger side, and position 3 is completely folded. Once the detent position is selected you can fine tune the viewing angle by moving the mirror glass within the housing.

2 Color Light Function



Switch Wiring:

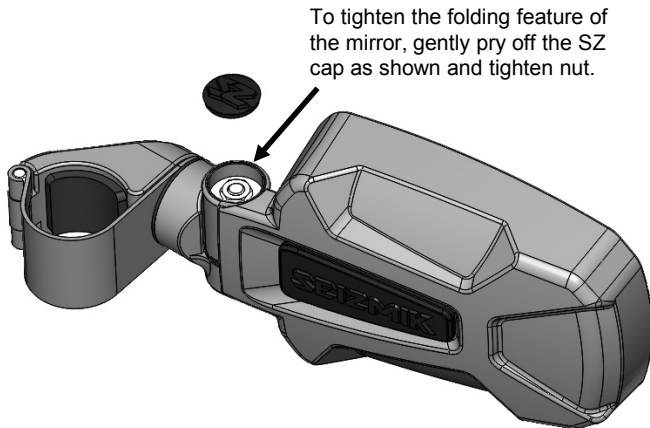
As stated on the previous page, the red wire ALWAYS goes to the center terminal. Blue and yellow may be swapped if you want to change which switch position the colors correspond to. Out of the box the single dash (-) switch position should correspond to the white light. The double dash (=) switch position should correspond to the green light as shown in the image above.



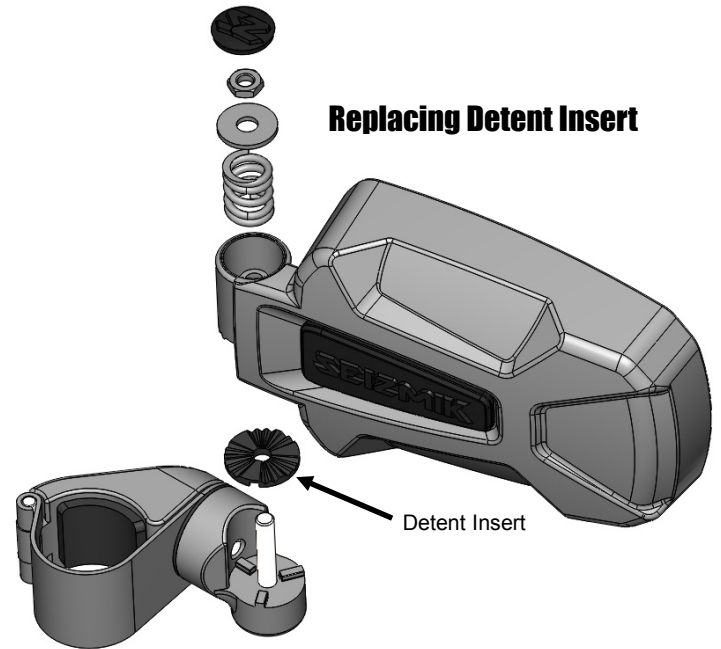
If you have any questions, comments, need assistance, or are missing parts, please call 1-866-838-3366 between 9:00AM and 5:00PM EST or email us at support@seizmik.com. Visit www.seizmik.com for more information on our products. Seizmik products are designed, developed, & manufactured by Vialink Corp.

Repair and Maintenance

Tightening Mirror Housing Folding Feature



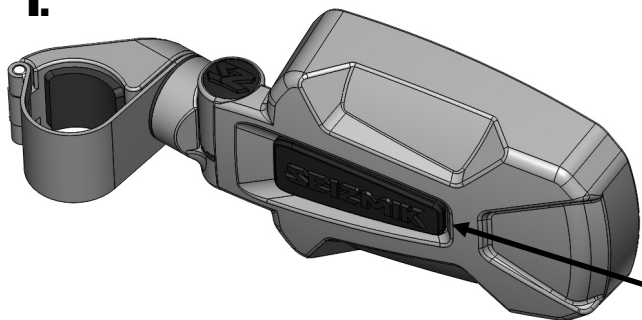
Replacing Detent Insert



If for any reason the Mirror Detent Insert ever becomes worn enough that the mirror will not hold position well, please contact us for free replacements. It can be replaced by first removing the nut shown in the previous step. Next, remove the Mirror Housing, Spring, and Washer. The Detent Insert can now be gently pried off and replaced. The detent is designed so it can only go on one way.

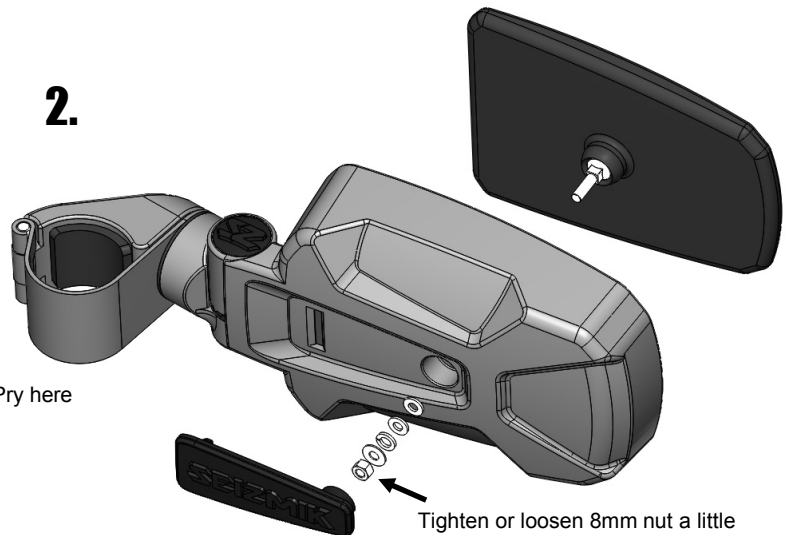
Replacing or Adjusting Mirror Glass

1.



To replace or adjust Mirror Glass pivot, gently pry off SEIZMIK cap from the location shown.

2.

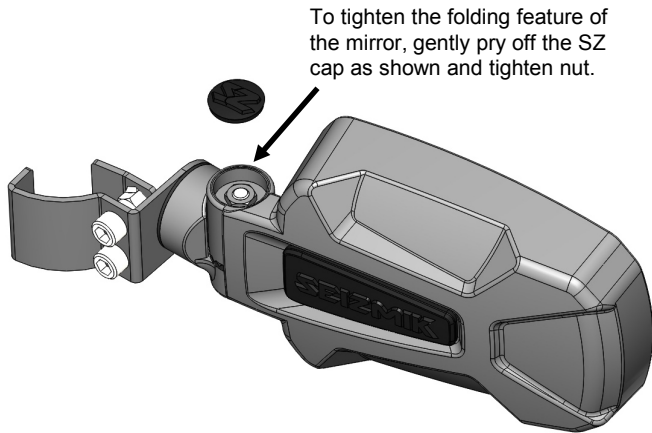


Seizmik makes Windshields, Doors, Tops, Hood Racks, and other great accessories for utility vehicles & side x sides. Our products are engineered tough for long life and tested under the harshest of conditions.

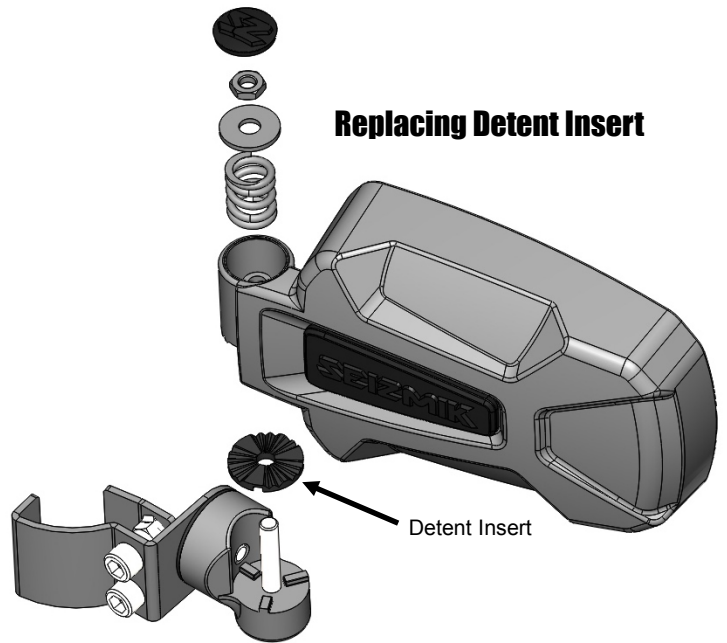
Seizmik products are designed, developed and manufactured by Vialink Corp. If you have any questions, comments, need assistance, or are missing parts, please call 1-866-838-3366 between 9:00AM and 5:00PM EST. You can email us at support@seizmik.com.

Repair and Maintenance

Tightening Mirror Housing Folding Feature

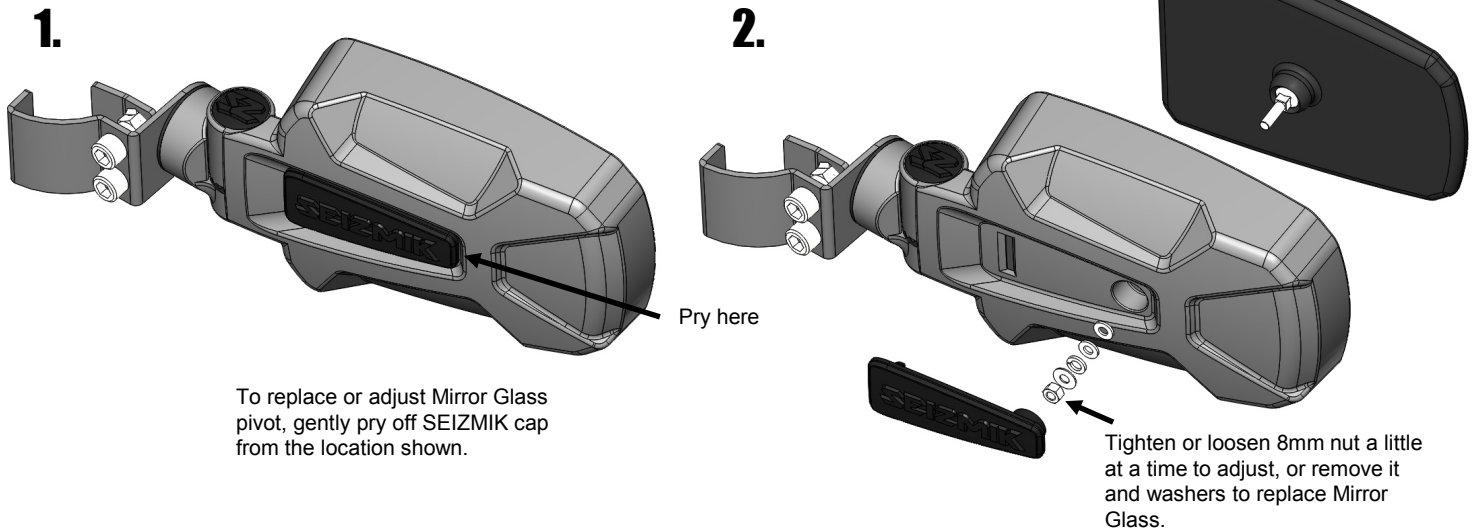


Replacing Detent Insert



If for any reason the Mirror Detent Insert ever becomes worn enough that the mirror will not hold position well, please contact us for free replacements. It can be replaced by first removing the nut shown in the previous step. Next, remove the Mirror Housing, Spring, and Washer. The Detent Insert can now be gently pried off and replaced. The Detent is designed so it can only go on one way.

Replacing or Adjusting Mirror Glass



Seizmik makes Windshields, Doors, Tops, Hood Racks, and other great accessories for utility vehicles & side x sides. Our products are engineered tough for long life and tested under the harshest of conditions.

Seizmik products are designed, developed and manufactured by Vialink Corp. If you have any questions, comments, need assistance, or are missing parts, please call 1-866-838-3366 between 9:00AM and 5:00PM EST. You can email us at support@seizmik.com.